
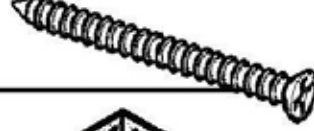


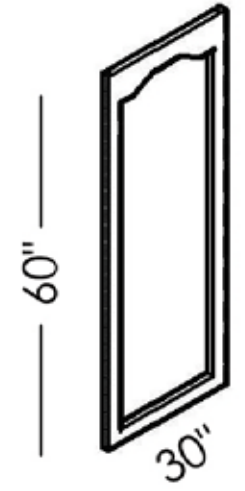
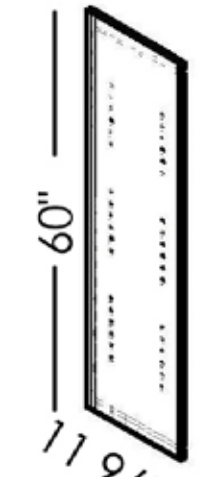
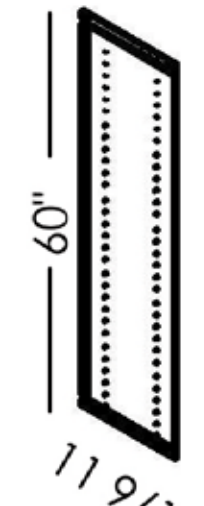
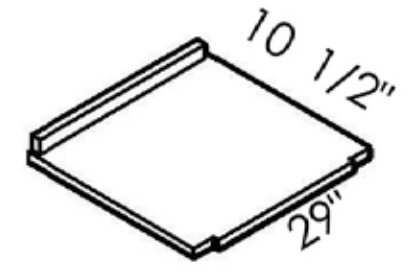
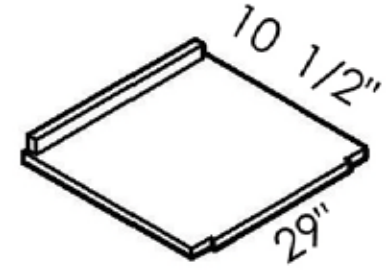
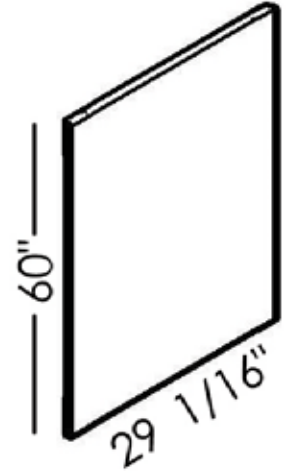
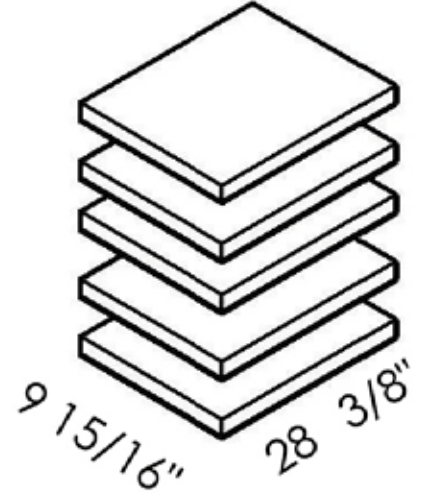
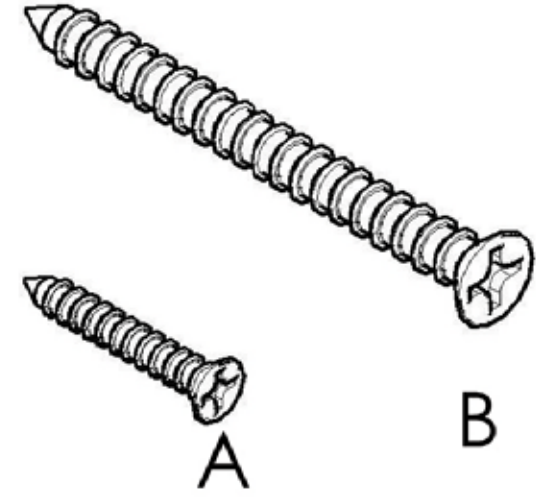


Part List





BC3060

Unit: inch

| No | Picture | Specification | Qty |
|----|---|---|-----|
| A |  | Screw $\varnothing 3 \times 1/2$ " | 32 |
| B |  | Screw $\varnothing 4 \times 1 \frac{3}{16}$ " | 6 |
| C |  | Corner Bracket | 4 |
| D |  | Shelf Clip | 20 |
| | | | |
| | | | |
| | | | |
| | | | |
| | | | |

| | | |
|--|---|--|
| <p>1</p>  <p>Face Frame</p> | <p>2</p>  <p>Left Side Panel</p> | <p>3</p>  <p>Right Side Panel</p> |
| <p>4</p>  <p>Top Panel</p> | <p>5</p>  <p>Bottom Panel</p> | <p>6</p>  <p>Back Panel</p> |
| <p>7</p>  <p>Shelf</p> | | |
|  <p>A B</p> | | |

Assembly instructions

| No | Picture | Specification | Qty | No | Picture | Specification | Qty |
|----|---|---|-----|----|---|----------------|-----|
| A |  | Screw $\varnothing 3 \times 1/2$ " | 32 | C |  | Corner Bracket | 8 |
| B |  | Screw $\varnothing 4 \times 1 \frac{3}{16}$ " | 6 | D |  | Shelf Clip | 20 |
| | | | | | | | |
| | | | | | | | |

